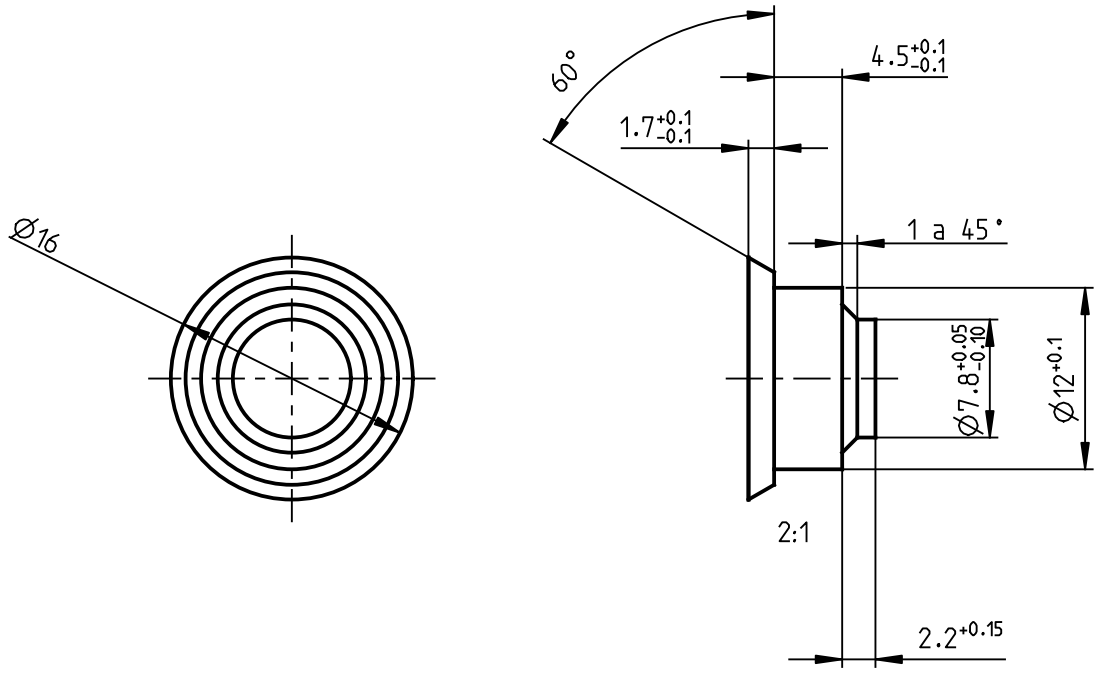


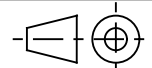
--
--
--
--
--
--
--
--
--
--
--



Proprietary rights apply in accordance with ISO 16016.

ORD.	REG.
--	--
--	--
--	--
--	--
--	--

Remark
Cotes manquantes : voir modèle 3D / Not dimensioned surfaces : see numerical model



Ferco	Tolerance WN 05311	Material Profile	---	---	Standard ---	Mass (g) see table	Surface (cm ²) see table	
GU	Scale 3:1	Revision: 1	Iteration: 2	Level	Released	Surface treatment (WNO550I / WNO5502) ---		
--	Date 12/05/2016	Change No F12220	First Release ---	Sig. LA	Ver.	--	Thermic treatment ---	
--	mise en PROE ---			Draft	19/09/1968	--	Pr-Gr ---	
		Description AXE -- --				Replacement for ---		Safety characteristics 0
		Drawing No. 0-0536F-00-0-00		Sheet 1/1	Size 4			