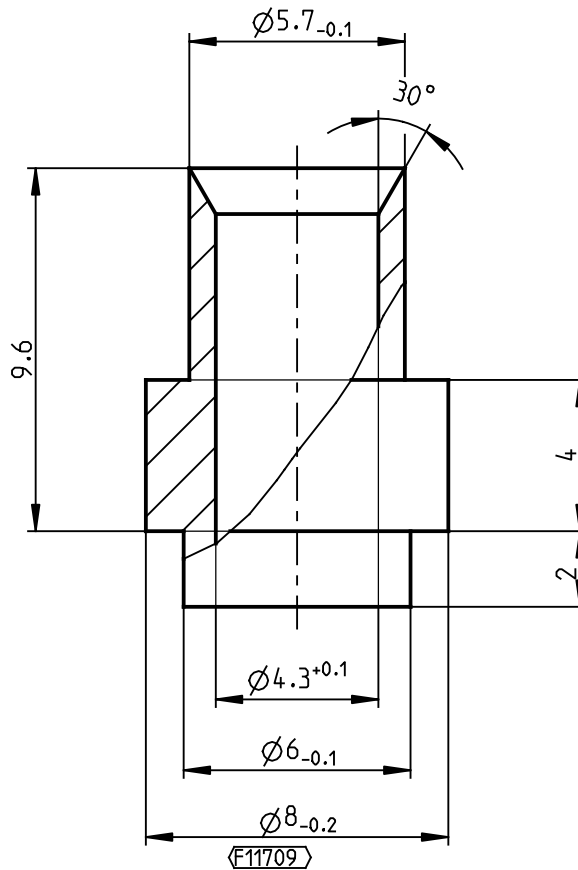
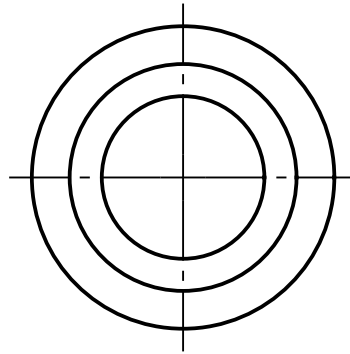


UNI-JET
HFF 350
LFF 280
--
--
--
--
--
--
--



Proprietary rights apply in accordance with ISO 16016.

ORD.	REG.
3/22	--
--	--
--	--
--	--
--	--

Remark --													
Ferco		Tolerance WN 05311		Material Profile 11SMnPb37_NF_EN_10087		Standard --		Mass Weight (g) 1.75		Surface (cm²) --			
GU		Scale 5:1		Revision: 1		Iteration: 1		Date 18-Oct-12		Level Released		Surface treatment verzinkt	
--		Date 18/10/12		Mod. No. F11709		First Release T2655		Sig. EM		Ver. --		Thermic treatment --	
--		Dia.8 -> 8-0.2		Draft		13.04.89		DS		Pr-Gr DA		Part-No. 20261	
		Description SCHRAUBENFÜHRUNG GUIDE VIS						Replacement for --			Size 4		
								Drawing No. E-15934-00-0-00					

20110526